

Air conditioner WDH-FGA1263B



Dear Customer,

You have chosen a high-quality product. To ensure that you get a lot of enjoyment from this product, here are a few more tips:

After transport:

Since the unit uses refrigerant, improper transport can sometimes occur despite careful instructions on the carton. Therefore, we ask you to let it stand upright for at least 4 hours before using it for the first time so that the refrigerant in the unit can settle again.

In case of any problems:

We hope that the unit meets your expectations! If, despite the greatest possible care, there should ever be cause for complaint, please contact us briefly, as we are very concerned about your satisfaction and would like to clear up any misunderstanding.

Important safety instructions:

- Operate the unit only in a straight position and with a straight/level stance (Fig. 1) !
- Ensure a minimum distance of 36 cm to fixtures and walls (Fig. 4) !
- The unit is filled with the flammable refrigerant R290, therefore strictly follow the instructions of this manual and read it completely ! (Fig. 5)
- Do not carry out any repairs on the unit yourself ! (Fig. 5)
- Do not place any objects on the appliance and make sure that the air intake and the exhaust air are always free!
- Supervise the air conditioner when children or animals are near the unit !
- This air conditioner should only be operated by persons who have the necessary physical and mental capabilities to operate this unit without problems !
- Watch out for electricity, never walk into or insert objects into the appliance (Fig. 2) !
- This air conditioner is only approved for indoor use !
- Only qualified personnel or electricians are allowed to open the unit !
- Make sure that no moisture gets into or onto the unit (Fig. 3) !
- Only use the recommended voltage for operating the unit !
- Make sure that the power cable is unfolded (untied) before connecting it to the socket !
- Please do not use the power cable as a pull cable for the air conditioner !
- Make sure that the plug is cleanly and properly connected to the socket before using the appliance !
- Never reach near the plug or socket with wet hands !
- Make sure that highly flammable substances (e.g. gases/oils etc.) are never in the vicinity of the unit !
- If you are not going to use the unit for a long time, switch it off and disconnect the mains plug !

Please switch off the unit immediately and disconnect it from the mains/power supply if anything seems to be wrong !!! In this case, please contact a specialist and do not attempt to repair the unit yourself !!!

Examples: Fan does not run during operation, fuse has blown or compressor rattles loudly.



Fig. 1



Fig. 2



Fig. 3

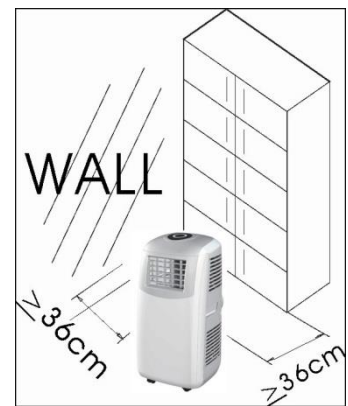


Fig. 4

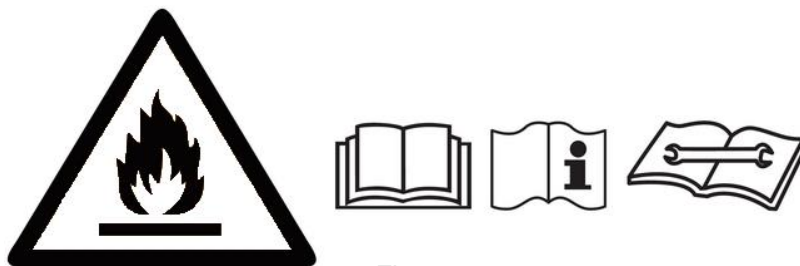
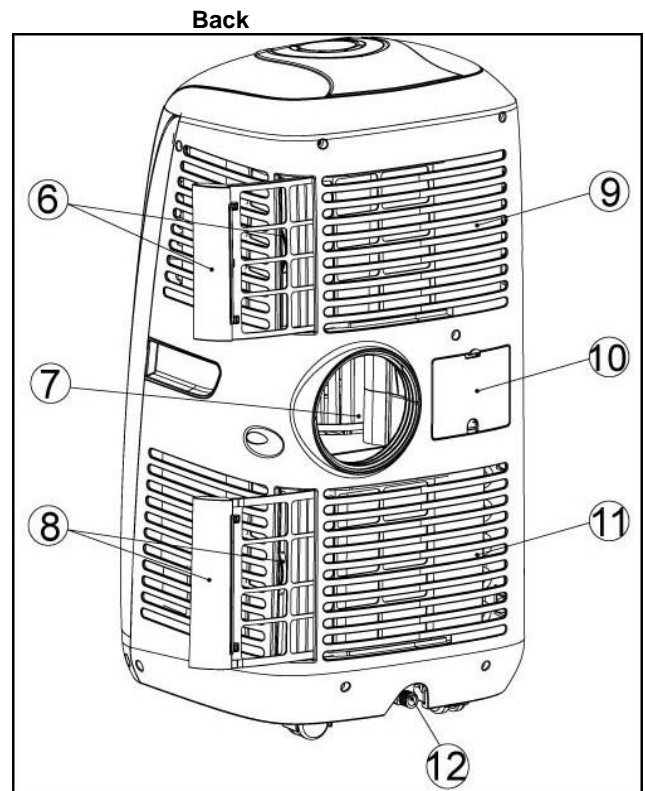
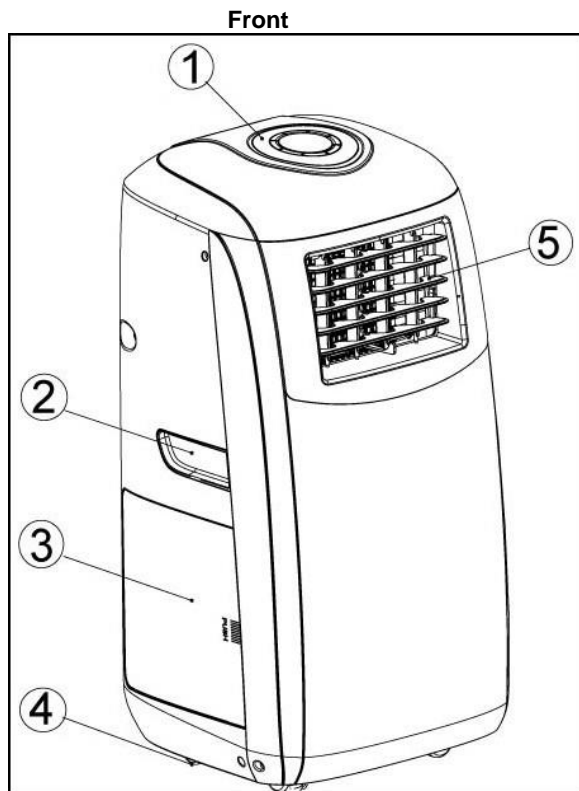


Fig. 5

Description of the unit parts:

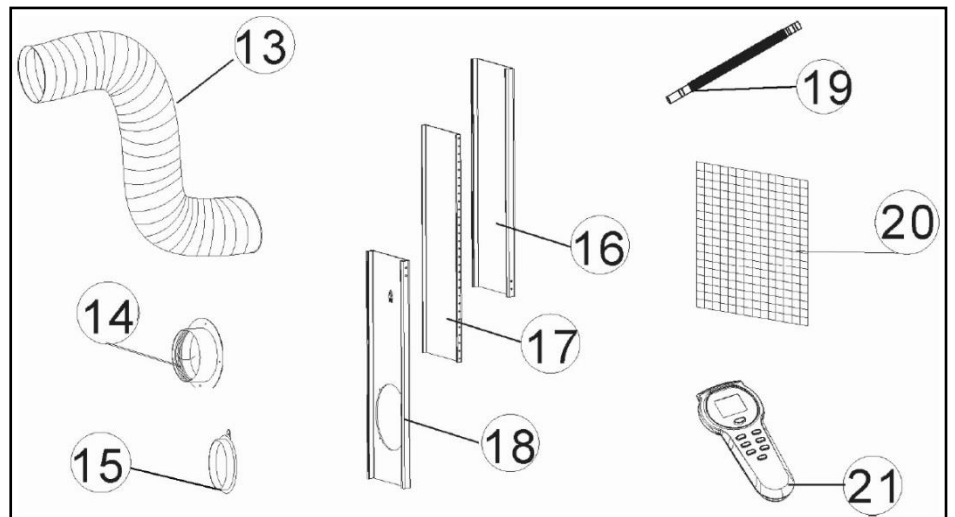


- 1. Control panel
- 2. Carrying handle
- 3. Water tank
- 4. Foot roller
- 5. Exhaust air (cold)
- 6. Air filter screen 1+2

- 7. Exhaust air duct (warm)
- 8. Air filter screen 3+4
- 9. Air intake 1
- 10. Power cable compartment
- 11. Air intake 2
- 12. Condensation water drain

Accessories:

- 13. Exhaust air hose for warm air
- 14. Adapter for connecting the warm air hose to the wall or window.
- 15. Adapter cover
- 16. Closure strip for window gap 1
- 17. Closure strip for window gap 2
- 18. Sealing strip for window gap with connection point for warm air hose
- 19. Condensation water drain hose
- 20. Activated carbon filter net
- 21. Remote control



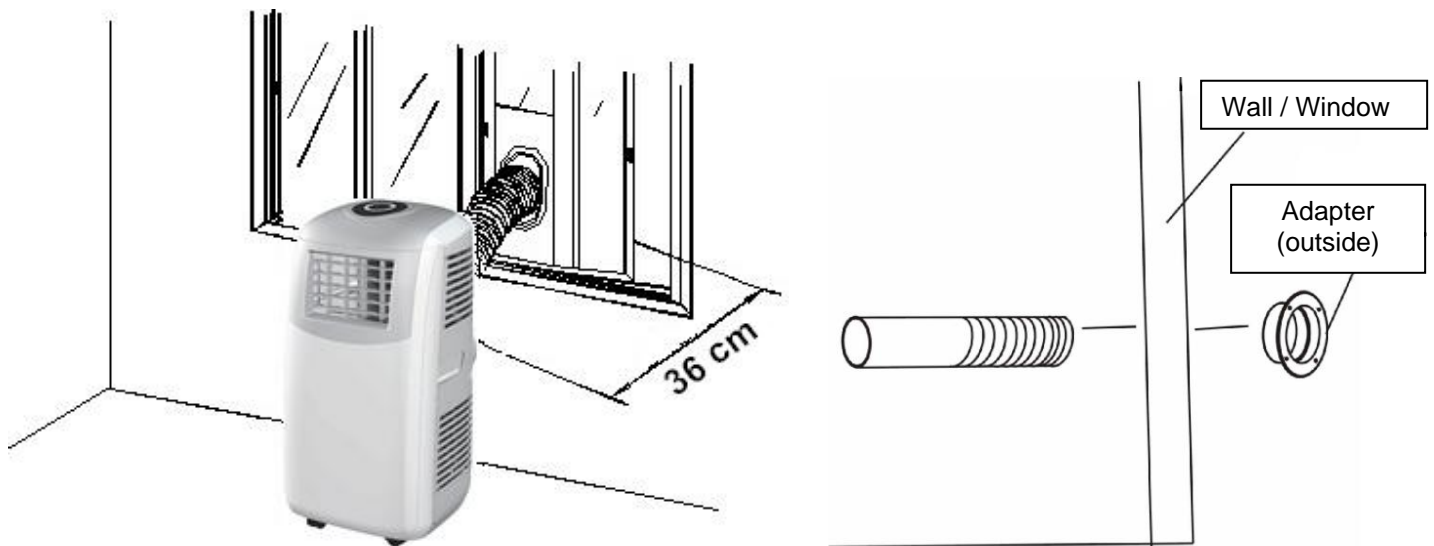
Operating recommendations:

For good cooling results and for the most effective and economical operation, we give you the following recommendations:

- We recommend a room size of up to 40 m² (100 m³) for this air conditioner.
- The minimum size of the room in which the unit is to be operated is at least 13m³ !
- Lock windows and doors.
- Avoid direct sunlight into the room through windows and doors. It is best to close the shutters or curtains during the day.
- Keep the air filters of the air conditioner clean.
- Once you have reached the desired room temperature, reduce the operating strength of the air conditioner.

Set-up and connection:

1. Connecting the exhaust hose for the warm air



The mobile air conditioner generates warm air for cooling the room. This warm exhaust air must be discharged to the outside. You can either discharge the warm exhaust air outside through a suitable hole (with the recommended diameter of 142 mm) in the wall (similar to a kitchen extractor bonnet) or through a gap of an open window/door.

Note: Depending on the given conditions, it may be advantageous to use the closure strip provided for this purpose. The closure strip is variably adjustable and can thus ensure that no air from outside gets inside.

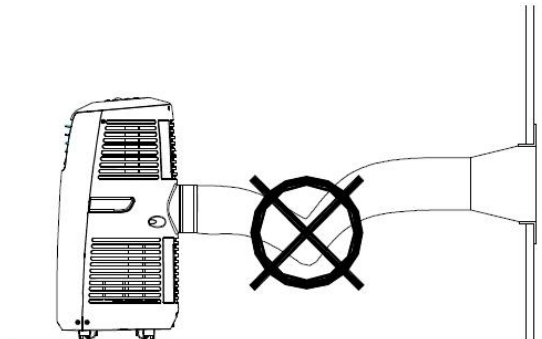
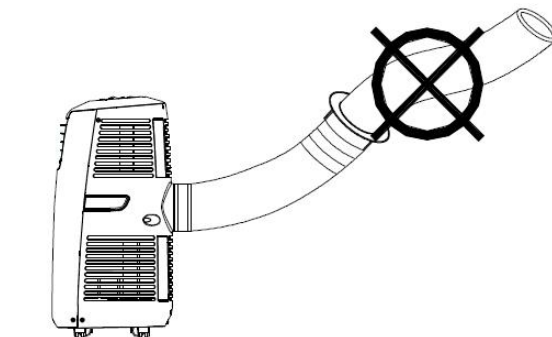
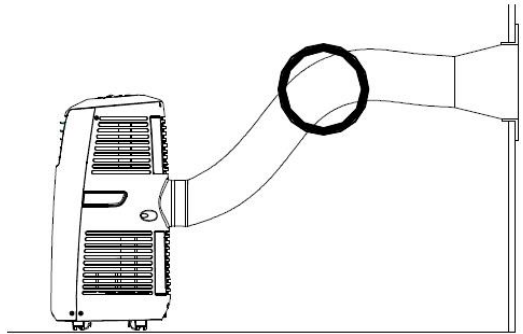
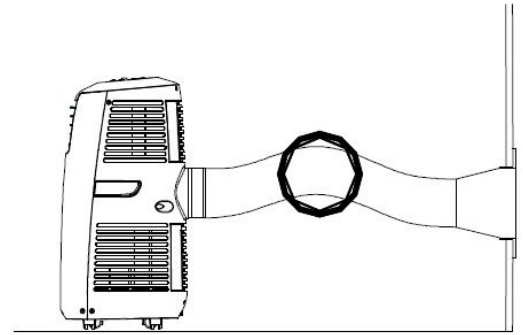
- 1.1. Connect the warm air exhaust hose to the rear exhaust duct of your air conditioner by screwing the warm air hose on clockwise.
- 1.2. If necessary, attach the supplied adapter to the other end of the exhaust air hose.
- 1.3. Lead the exhaust air hose directly through the window gap/door gap to the outside so that the warm exhaust air can be blown out unhindered.
- 1.4. If you have installed the sealing strip on the window gap/door gap/wall, guide the exhaust air hose from the inside through the recess provided and then screw the adapter onto the exhaust air hose from the outside. Now the adapter can be connected to the sealing strip.
- 1.5. When the air conditioner is not in use, close the end / adapter of the exhaust air hose with the adapter cover.

1.6. Finally, check the correct fit/installation of the exhaust air exhaust air hose for discharging the warm air.

- Always use only suitable accessories for the Connection and discharge of the hot air !
- The exhaust air hose must never be kinked or difficult for the exhaust air to pass through (see illustration opposite)! Otherwise, this can lead to overheating of the unit with subsequent shutdown and/or even to a defect in your air conditioner!
- The exhaust air hose can be extended from 30 cm to a maximum of 150 cm. However, for maximum efficiency and economy, we recommend the shortest possible length!

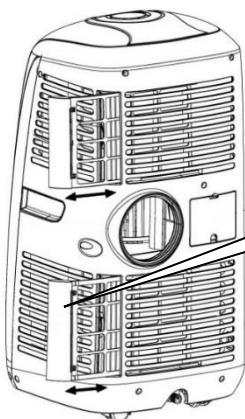
Warning:

The length of the exhaust air hose is specially adapted to the specification of the air conditioner. Please do not replace the exhaust air hose with another or do not try to extend it. This may cause damage or loss of performance to your unit !

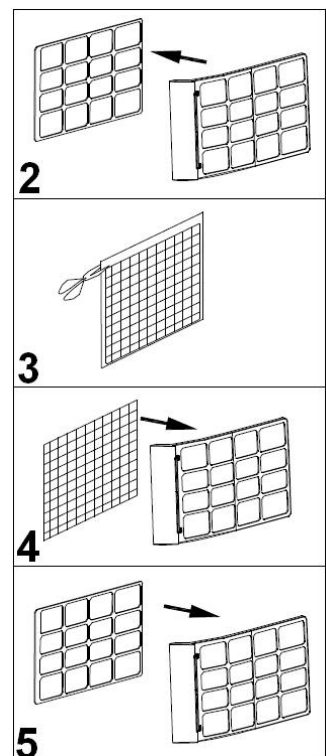


2. The air filter

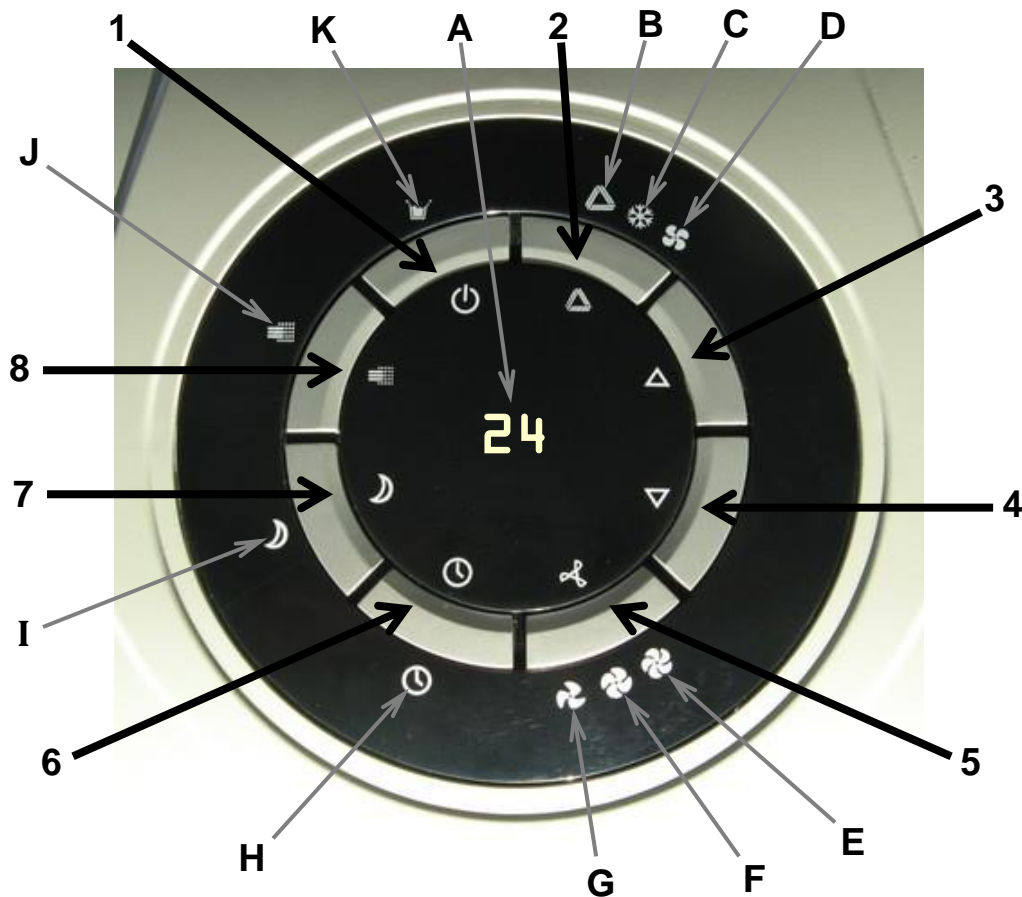
- 2.1. Remove the two filter units (4 filters in total) from the air conditioner (1)
- 2.2. Detach the filter holder from the filter frame (2)
- 2.3. Take the activated carbon filter out of the plastic bag (3)
- 2.4. Insert the activated carbon filter into the filter frame (4)
- 2.5. Now put the filter holder on the filter frame (5)
- 2.6. Finally, push the filter unit back into the air conditioner (6).



Step 1 (Filter 1-4 out)
Step 6 (Filter 1-4 in)



Functional description of the control panel:




- | | |
|--|--|
| 1. ON/OFF switch (ON/OFF) | A. Display panel (temperature etc.) |
| 2. Button for <u>setting the operating mode</u> | B. Signal light when <u>automatic mode</u> is activated |
| 3. Button for <u>increasing the room temperature</u> | C. Signal light when <u>cooling mode</u> is activated |
| 4. Button for <u>lowering the room temperature</u> | D. Signal light when <u>fan operation</u> is activated |
| 5. Setting the air circulation strength | E. Signal light for <u>high air circulation rate</u> |
| 6. Timer | F. Signal light for <u>medium air circulation strength</u> |
| 7. Quiet night mode | G. <u>Low air circulation</u> signal light |
| 8. TiO ₂ /ION button (inactive on this unit type) | H. Signal light when <u>timer is activated</u> |
| | I. Signal light when <u>night mode</u> is activated |
| | J. Signal light for TiO ₂ /ION operation (inactive) |
| | K. Signal light - <u>condensation water tank is full</u> |

Instructions for use:

1. Commissioning

- 1.1. Insert the mains plug properly into the socket.
- 1.2. Check that the exhaust hose for the hot air is properly installed (see page 5 of the instructions for use).
- 1.3. Press the ON/OFF switch. The cooling unit switches on and the default setting Cooling with low air circulation starts to work. The default target temperature is 24°C. At the same time, the display panel and signal lights turn on. (Note: The display field for the room temperature can show values from 0°C to 50°C.)

2. Selection of the operating mode

Press the operating mode setting button (2) , to select the desired operating mode:

1. Automatic mode "Cooling" "Signal light B" (see also point 5.)
2. Cooling mode "Signal light C"
3. Fan operation "Signal light D"

(See also functional description of the control panel)

3. Setting the temperature target

Press button (3) to increase the room temperature or button (4) to decrease the room temperature until you have selected your desired temperature target in the display field.

Note: The temperature target is only displayed while the button for "increase" or "decrease" is pressed. After a short wait (7 - 8 seconds), the display field shows the current room temperature again.

4. Setting the air circulation strength

Press the button (5) to set the desired air circulation strength:

1. High air circulation "Signal lamp E"
2. Average air circulation "Signal lamp F"
3. Low air circulation "Signal light G"

(See also functional description of the control panel)

5. Using the automatic mode (signal light B)

By selecting the automatic mode, the air conditioner attempts to reach or permanently maintain the factory-set temperature target of 24°C and then automatically switches off the compressor after this value is reached.

Note: Using the automatic mode on units without a heating function makes only limited sense, as the auto mode was originally designed to maintain a constant temperature (automatic heating or cooling as required).

6. Using the timer function (function key 6 or signal light H)

If you want to activate/use the timer function (function for determining the remaining time or function for specifying a start time), press the TIMER key (6).

6.1. Determination of the remaining term:

During operation, press the TIMER button (6) to select the desired remaining running time of the air conditioner. (A value between 1 and 24 hours can be selected). After this selected operating time has elapsed, the unit automatically switches off completely.

6.2. Determination of a start time:

When the air conditioner is switched off, press the TIMER button (6) to select the desired start time. (A value between 1 and 24 hours can be selected). After this selected time has elapsed, the unit switches on automatically (with the last used settings).

7. Activation of the low-noise night mode (function key 7 or signal light I)

Press the night mode button (7) and the silent night mode is activated.

The activated night mode automatically increases the target temperature by 1°C in the first hour. In the second hour, the target temperature is automatically increased by another 1 °C. After that, the target temperature is kept at this level.

Furthermore, the night mode always uses the low (LO) air circulation level.

By pressing the night mode key (7) again, the low-noise night mode is cancelled and the last selected settings are reactivated.

Note: After 12 hours of operation in night mode, the air conditioner switches off automatically. In addition, night mode cannot be activated in the following operating modes: AUTOMATIC MODE or FAN MODE.

8. Remote control

All functions and settings as described in points 1 - 7 above can also be operated/adjusted with the remote control supplied. The remote control requires two AAA batteries (not included).

9. Error display

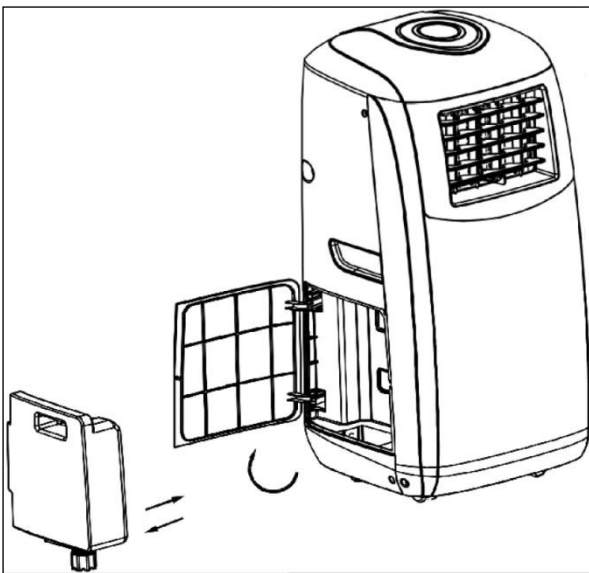
The air conditioner detects malfunctions and displays them in the unit's display panel. If the display field shows "E1" or "E2", please contact your dealer.

10. Turbo cooling (increase in cooling capacity)

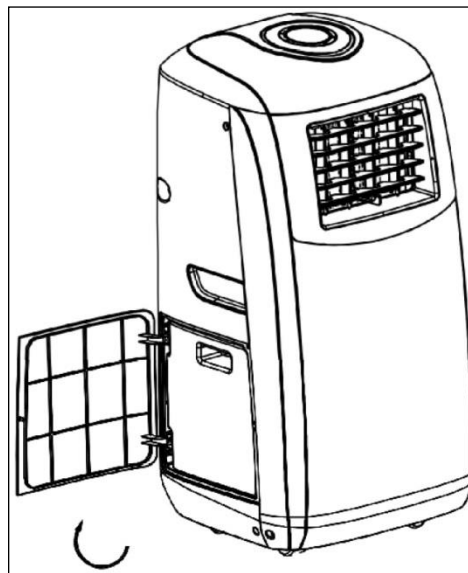
The air conditioner is equipped with a "turbo cooling function". This increase in cooling capacity can be achieved by filling the side water tank of your air conditioner with water once. This provides an additional cooling boost and an increase in performance without further energy expenditure !

See the following graphics for this:

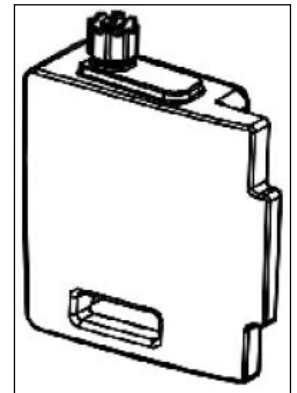
1. Open the side door



2. Remove the water tank



3. Turn the Water tank and screw the Lock off. Now fill the Tank with clean (clear) water.



11. Other operating instructions

11.1. To ensure a long service life of the compressor, please do not switch the unit off and on again within 3 minutes. (Switching the unit off and then on again shortly afterwards will damage the compressor).

11.2. The cooling circuit (compressor) switches off as soon as the ambient air is below the target temperature. However, the air circulation continues. If the ambient air rises above the target temperature, the cooling circuit (compressor) also switches on again automatically.

11.3. This air conditioner is equipped with a defrost function. If the unit is operated for a long time or in cool ambient air, the cooling circuit (compressor) may switch off briefly until the ice that has formed on the cooler unit has defrosted.

12. Important operating and safety instructions regarding the refrigerant R290 in this unit

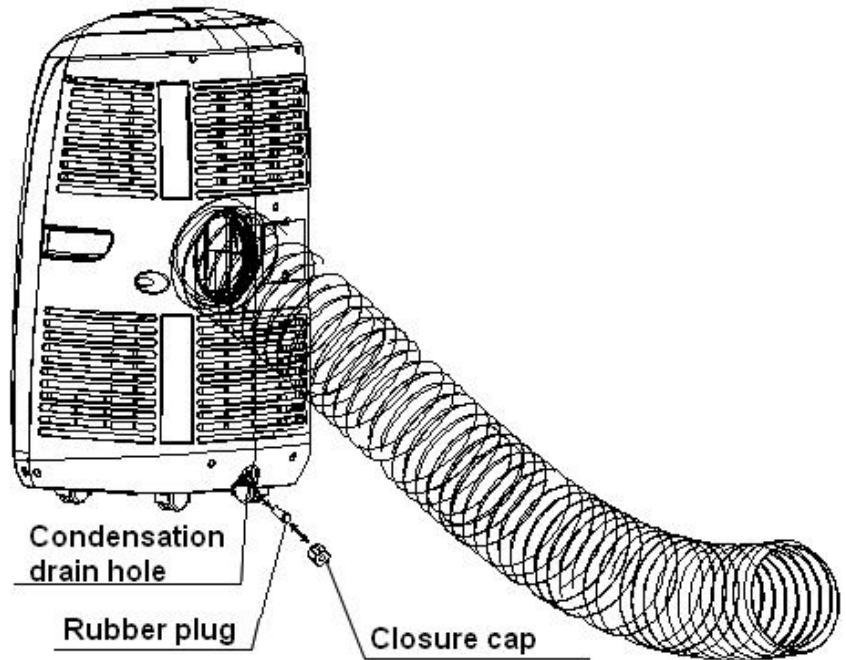
- Read these instructions carefully !
- This air conditioner operates with the refrigerant R290, which is highly flammable and explosive. Therefore, please take special care that the copper lines are not damaged at any time!
- The appliance should not be placed in a room where other appliances are operated at the same time which have an electric heater or an open flame.
- Please note that the refrigerant is odourless and therefore a leak cannot be detected immediately by an emerging odour !
- Make sure that the outlet of the exhaust air is always given and not obstructed by other objects !
- Only appropriately trained specialists are permitted to carry out repairs to the cooling lines and the compressor! Always contact a specialist in case of a problem !
- Ensure a minimum distance of at least 50cm from open flames and heating elements !

Condensation:

Some condensation forms in the unit during the cooling process. This side effect is caused by the extraction of moisture from the ambient air during the cooling process. This condensation water is collected and fed into the integrated lower condensation tank. If the integrated condensation tank is full, the compressor and the motor of the air conditioner switch off. In addition, this condition is signalled to you by the signal light (K) "Condensation tank is full" on the control panel and by a beep !

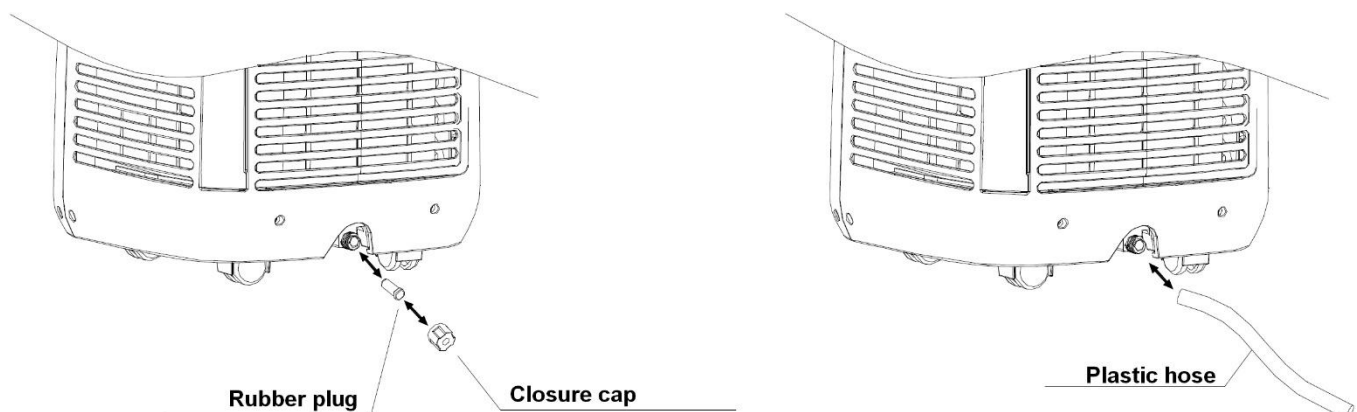
To drain the condensation water tank and thereby reactivate the air conditioner, please follow the steps below:

1. Switch off the air conditioner and avoid moving the unit when the condensation tank is full.
2. Position a drip tray below the drain hole for the condensation water.
3. Unscrew the cap and then remove the rubber plug by pulling it out horizontally. Now the condensation water can drain out of the tank.
4. If your drip tray is full but there is still water in the condensation tank, simply put the rubber plug back on the drain hole and then empty the drip tray first.
5. Repeat this procedure until the condensation tank is completely empty.
6. Now put the rubber plug back on the drain hole and finally screw the cap back on properly.
7. Finally, you can switch the mobile air conditioner on again and the signal light "Condensation tank is full" (K) on the control panel should now go out.



If you want to operate the air conditioner without the condensation tank, please take the following steps:

1. Unscrew the cap and then remove the rubber stopper by pulling it out horizontally. Keep both cap parts in a safe place for later use.
2. Connect the plastic hose supplied to the condensation drain hole and lead off the other end so that there is a slope and the condensation can drain off easily/unhindered (see fig. below).
3. The drain hose can be extended or also replaced. In this case, please use a suitable hose. A 3/4 inch hose is best suited/fitting.



Maintenance:

Always disconnect the mains plug before cleaning your air conditioner !
To keep the effectiveness and service life of your air conditioner high, please clean this unit regularly !

Cleaning the housing:

Use a soft and damp cloth to clean the housing of the air conditioner. Please do not use aggressive cleaning agents, they may damage your unit !

Cleaning the filters (does not apply to the activated carbon filter net):

Use a Hoover to clean the filters or tap them out gently.
Alternatively, you can rinse the filters under running water. Please make sure that the water is no hotter than 40°C. Allow the filters to dry completely before putting them back into the appliance !
Note: Please never operate the air conditioner without a filter !

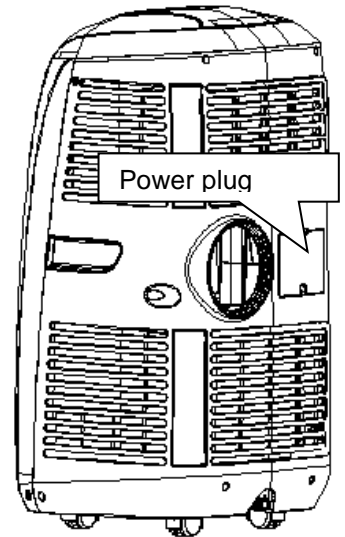
Stow the air conditioner:

- Empty any condensation water from the condensation tank.
- Let the unit run in ventilation-only mode for a few hours to allow it to dry completely from the inside.
- Clean the filters.
- Pull out the mains plug and stow it in the compartment provided (see fig.).
- Use the original carton to store the air conditioner.

Troubleshooting:

The unit does not switch on:

- Check the mains plug and try a different socket.
- Check if the house fuse has popped out.
- Check whether the condensation tank is full ("Condensation tank is full" signal light is on). If the condensation tank is full, empty it (see page 9).
- Check whether the room temperature is perhaps already below the selected target temperature.
- It could be that the overheating protection of the unit is switched on. In this case, try again after a short while and in cooler conditions.



The unit does not cool enough:

- Make sure that the unit is not in direct sunlight.
- Make sure that no windows or doors are open.
- Is it possible that there are too many heat sources in the room? Please consider that every person, every window exposed to sunlight and every electrical appliance produces heat and therefore the cooling capacity of the air conditioner may no longer be effective enough.
- Make sure that the filter is not dirty and is sufficiently permeable to air.
- Make sure that the air intake, the exhaust air and the exhaust air duct for the warm air are not blocked and have sufficient free space.
- Check whether the room temperature is perhaps already below the selected target temperature.

The unit seems too loud to me:

- Check that the unit has a firm stand with all four castors and is not uneven. Quieter operation is achieved if the air conditioner is placed on a carpet or a piece of floor mat. Furthermore, a short exhaust hose for the warm air in the room is advantageous.

In the event of a defect, do not attempt to repair the air conditioner yourself!

Technical data:

Model designation:	WDH-FGA1263B
Energy efficiency rating (EER):	A
Energy consumption per hour according to EER:	1.30 kW/h
Cooling capacity:	11,500 BTU/h (3,400 watts)
Energy efficiency size:	2,6
Unit type:	Cooling only
Cooling type:	Air cooling
Noise emission:	65 dB
Voltage:	220-240V ~ 50Hz
Max. Power consumption:	1,300 W (5.9 A)
Power consumption in operating mode	
"Temperature controller off" (PTO):	149 W
Power consumption in standby mode (PSB):	0,48 W
Electricity consumption (QSD):	1.3 kWh/a
Air circulation:	410 m ³ /h
Dehumidification capacity:	1.4 litres/h
Range of use:	18°C - 32°C
Compressor:	Rotary compressor
Refrigerant:	R290 (270 g)
Dimension (H/W/D):	790 x 420 x 405 mm
Dimension hot air duct:	Ø 142 x 1500 mm
Intake pressure:	0.85 / 2.2 Mpa
Weight:	30 .5 kg

The above data have been determined in accordance with EU standard: EN 14511, as well as EU safety and test regulations: EN 60335-2-40.

COOLING - dry temperature = 35°C; wet temperature = 24°C

Other:

Warranty statement:

Notwithstanding the statutory warranty claims, the manufacturer grants a warranty in accordance with the laws of your country, but at least 1 year (in Germany 2 years for private individuals). The warranty begins on the date of sale of the appliance to the end user.

The guarantee only covers defects that are due to material or manufacturing faults.

Warranty repairs may only be carried out by an authorised customer service. To make a warranty claim, please enclose the original sales receipt (with date of sale).

Excluded from the guarantee are:

- Normal wear
- Improper applications, such as overloading the appliance or non-approved accessories.
- Damage due to external influences, use of force or foreign objects
- Damage caused by non-observance of the operating instructions, e.g. connection to an incorrect mains voltage or non-observance of the assembly instructions.
- Completely or partially dismantled units

Conformity:

The air conditioner has been tested and itself and/or parts thereof have been manufactured under the following (safety) standards:

Tested by TÜV Süd "GS" and of course with CE conformity.

Tested safety according to: EN 60335-2-40:2003+A11:2004+A12:2005+A1:2006+A2:2009
+A13:2012/A13:2012
EN 60335-1:2012+A11:2014+A13:2017
EN 62233:2008
AfPS GS 2014:01 PAK

CE + EMC conformity tested according to: EN 55014-1:2017
EN 55014-2:2015
EN 61000-3-2:2014
EN 61000-3-3:2013

Correct disposal of this product:



Within the EU, this symbol indicates that this product should not be disposed of with household waste. Waste equipment contains valuable recyclable materials that should be recycled and not harm the environment or human health through uncontrolled waste disposal. Therefore, please dispose of old appliances via suitable collection systems or send the appliance for disposal to the place where you purchased it. They will then recycle the appliance.



I wish you much pleasure with this appliance.

Your Aktobis AG

Keep these instructions for use in a safe place !